

Panasonic[®]

F564996

Operating Instructions Air Conditioner

CS-E15DTEW	CU-E15DBE
CS-E18DTEW	CU-E18DBE
CS-E21DTES	CU-E21DBE
CS-E15DB4EW	CU-E15DBE
CS-E18DB4EW	CU-E18DBE
CS-E21DB4ES	CU-E21DBE
CS-E15DD3EW	CU-E15DBE
CS-E18DD3EW	CU-E18DBE



ENGLISH

Before operating the unit, read these operating instructions thoroughly and keep them for future reference.

2 ~ 9



Manufactured by:

Panasonic HA Air-Conditioning (M) Sdn. Bhd.

Lot 2, Persiaran Tengku Ampuan, Section 21, Shah Alam Industrial Site, 40300 Shah Alam, Selangor, Malaysia.

Definition

To prevent personal injury, injury to others and property damage, the following instructions must be followed.

Incorrect operation due to failure to follow instructions will cause harm or damage, the seriousness of which is classified as below:



Warning

This sign warns of death or serious injury.



Caution

This sign warns of injury or damage to property.

The instructions to be followed are classified by the following symbols:



This symbol denotes an action that is **PROHIBITED**.



These symbols denote actions that are **COMPULSORY**.

Safety Regulation

This appliance is not intended for use by persons (including children) with reduced physical, sensory or mental capabilities, or lack of experience and knowledge, unless they have been given supervision or instruction concerning use of the appliance by a person responsible for their safety. Children should be supervised to ensure that they do not play with the appliance.

Thank you for purchasing Panasonic Air Conditioner

SAFETY PRECAUTIONS

Installation Precautions



Warning

Do not install, remove and reinstall the unit by yourself.

- Improper installation will cause leakage, electric shock or fire. Please consult an authorized dealer or specialist for the installation work.
- This equipment must be earthed and installed with ELCB. It may cause electrical shock or fire in case of malfunction.
- Do not install the unit in oily and smoky areas.



Caution



- This air conditioner must be earthed. Improper grounding will cause electric shock.
- Ensure that the drainage piping is connected properly. Otherwise, water will leak.



- Do not install the unit in a potentially explosive atmosphere.

Operation Precautions



Warning



- Do not share power outlet.
- Do not modify power cord.
- Do not use an extension cord.
- Do not operate with wet hands.
- Do not attempt to repair the unit by yourself.
- Do not use rechargeable (Ni-Cd) batteries.
- Do not allow infants and small children to play with the remote control to prevent them from accidentally swallowing the batteries.
- Do not switch ON the unit when waxing the floor. After waxing, aerate the room properly before operating the unit.
- Do not insert your fingers or other objects into the unit, rotating parts may cause injury.



- Use specified supply cord.
- If the supply cord is damaged or needed to be replaced, it must be replaced by the manufacturer or its service agent or a similarly qualified person in order to avoid a hazard.
- Remove the batteries if the unit is not going to be used for a long period of time.
- New batteries of the same type must be inserted following the polarity stated to prevent malfunction of the remote control.
- In case of emergency or abnormal condition (burnt smell, etc) occurs, turn off the power supply.



Caution



- Do not wash the unit with water, benzene, thinner or scouring powder.
- Do not use for other purposes such as preservation of food.
- Do not use any combustible equipment at airflow direction.
- Do not sit or place anything on the indoor or outdoor unit.
- Do not expose directly to cold air for a long period.
- Switch off the power supply before cleaning or servicing.
- Turn off the power supply if the unit is not used for a long period of time.



- Ventilate the room regularly.
- Pay attention as to whether the installation rack is damaged after long period of usage.
- Do not sit or step on the unit, you may fall down accidentally.
- Do not touch the sharp aluminium fin, sharp parts may cause injury.



Operation Condition (°C)

Use this air conditioner under the following temperature range.

DBT: Dry Bulb Temperature WBT: Wet Bulb Temperature	Indoor		Outdoor	
	DBT	WBT	DBT	WBT
Maximum Temperature (COOL)	32	23	43	26
Maximum Temperature (HEAT)	30	-	24	18
Minimum Temperature (COOL)	16	11	16	11
Minimum Temperature (HEAT)	16	-	-5	-6

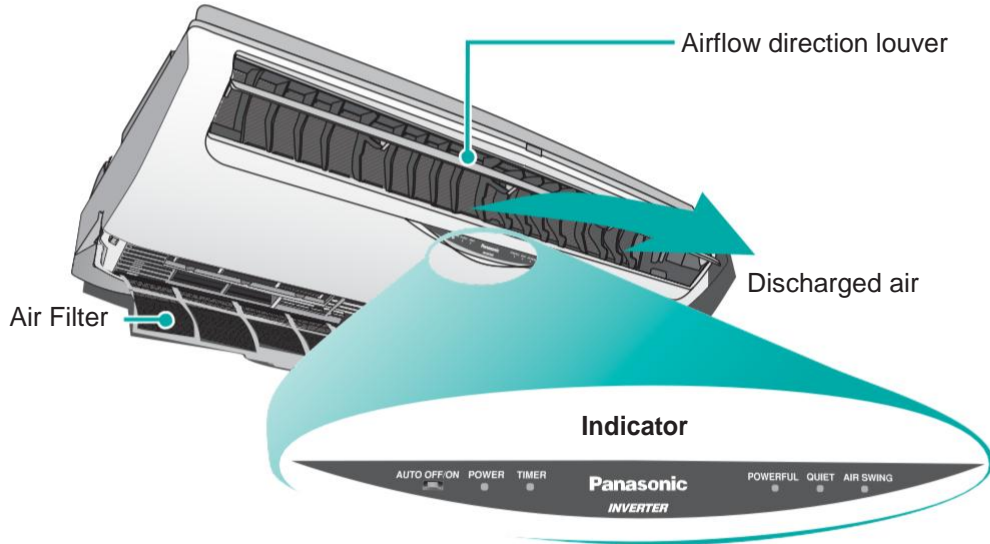
NOTICE: • This model is not suitable for 24 hours non-stopping operation in heating mode below -5°C. When the outdoor temperature is below -5°C and you use this model out of above conditions, the outdoor unit might be frozen up and stop operation for protection control.

Note: The illustrations in this manual are for explanation purposes only and may differ from the actual unit. It is subjected to change without notice for future improvement.

PRODUCT OVERVIEW

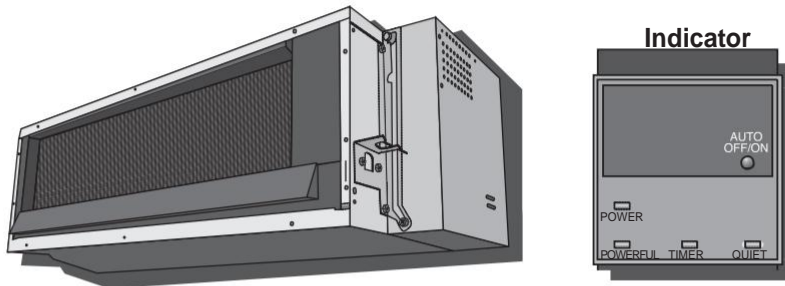
Indoor Unit (DT-Series)

CS-E15DTEW, CS-E18DTEW, CS-E21DTES



Indoor Unit (DD-Series)

CS-E15DD3EW, CS-E18DD3EW



About

Indoor unit

CS-E15DTEW, CS-E18DTEW, CS-E21DTES

- Auto Air Swing function optimise room comfort by giving finer control over the airflow direction.



CS-E15DD3EW, CS-E18DD3EW

- These units are mounted inside the ceiling. It uses external air intake vent and air outlet vent to operate.

Auto OFF/ON Button

- To operate the unit if the remote control is misplaced or malfunctioning.

Action	Operation mode
Press once.	Automatic Operation
Press until "beep" sound and release.	Cooling Operation
Press until "beep" sound and release. Press again until "beep-beep" sound and release.	Heating Operation

- To OFF, press again the Auto OFF/ON button.

Troubleshooting



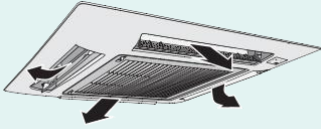
- Operation delayed for few minutes after restart.
- Sound like water flowing during operation.
- Mist emerges from indoor unit.
- Noisy during operations.
- Cracking sound can be heard during operations.
- This is a normal self protection control.
- Caused by refrigerant flow inside.
- Condensation effect due to cooling process.
- Installation work could be slanted or front panel didn't close properly.
- Panel expanding/contracting due to the changes in temperature.

About

Indoor unit

CS-E15DB4EW, CS-E18DB4EW, CS-E21DB4ES

- The air is discharged through 4 outlet vents.



Auto OFF/ON Button

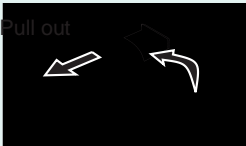
- To operate the unit if the remote control is misplaced or malfunctioning.

Action	Operation mode
Press once.	Automatic Operation
Press until "beep" sound and release.	Cooling Operation
Press until "beep" sound and release. Press again until "beep-beep" sound and release.	Heating Operation

- To OFF, press again the Auto OFF/ON button.

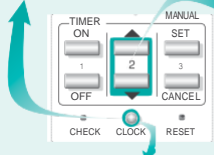
Remote Control Preparation

1. Pull out



2. Insert batteries (AAA or R03)

3. Press CLOCK button



4. Set current time

5. Press again to confirm

- Timer operation will be based on current time set.
- The batteries can be used for approximately 1 year.
- The batteries must be recycled or disposed of properly.



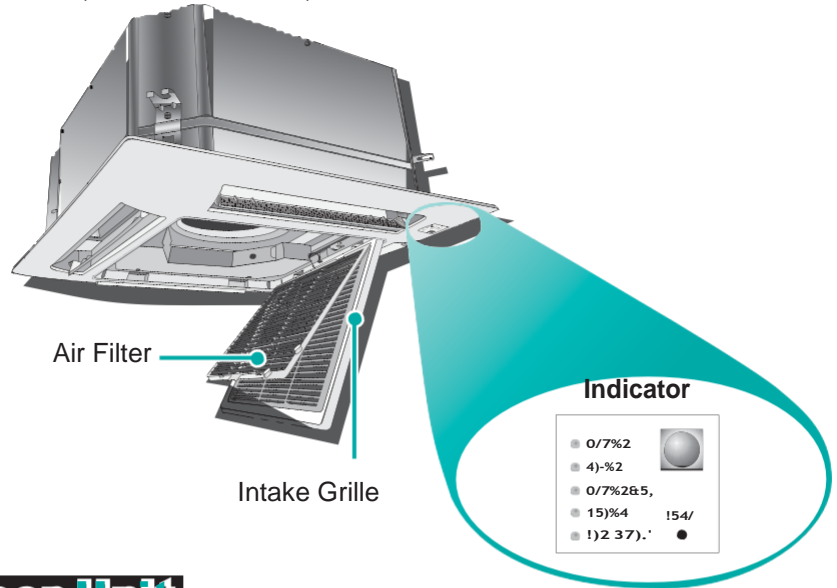
Remote Control Signal

- Make sure it is not obstructed.
- Maximum distances : 8m.
- Certain fluorescent lights may interfere with signal transmission. Consult your dealer.

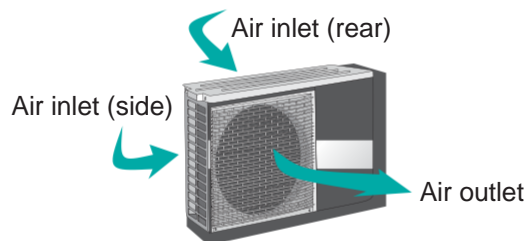
PRODUCT OVERVIEW

Indoor Unit (DB-Series)

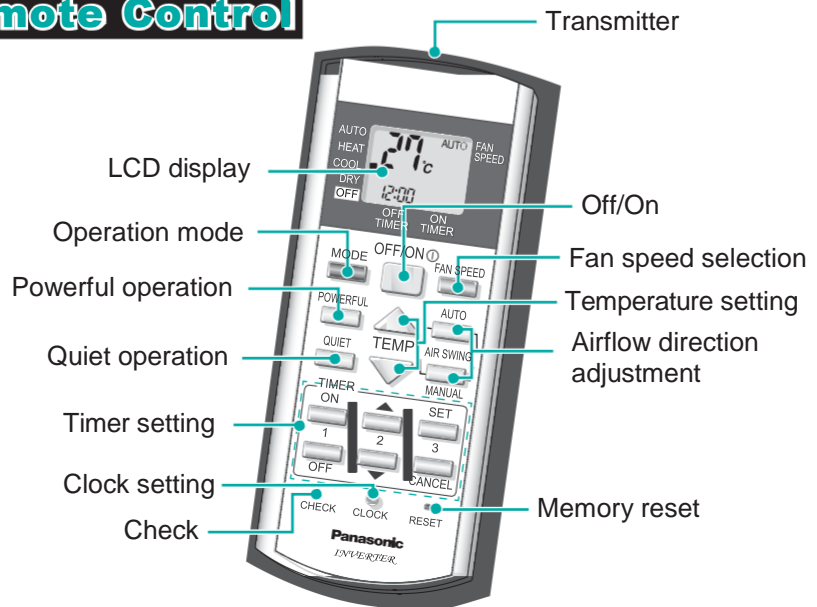
CS-E15DB4EW, CS-E18DB4EW, CS-E21DB4ES



Outdoor Unit



Remote Control

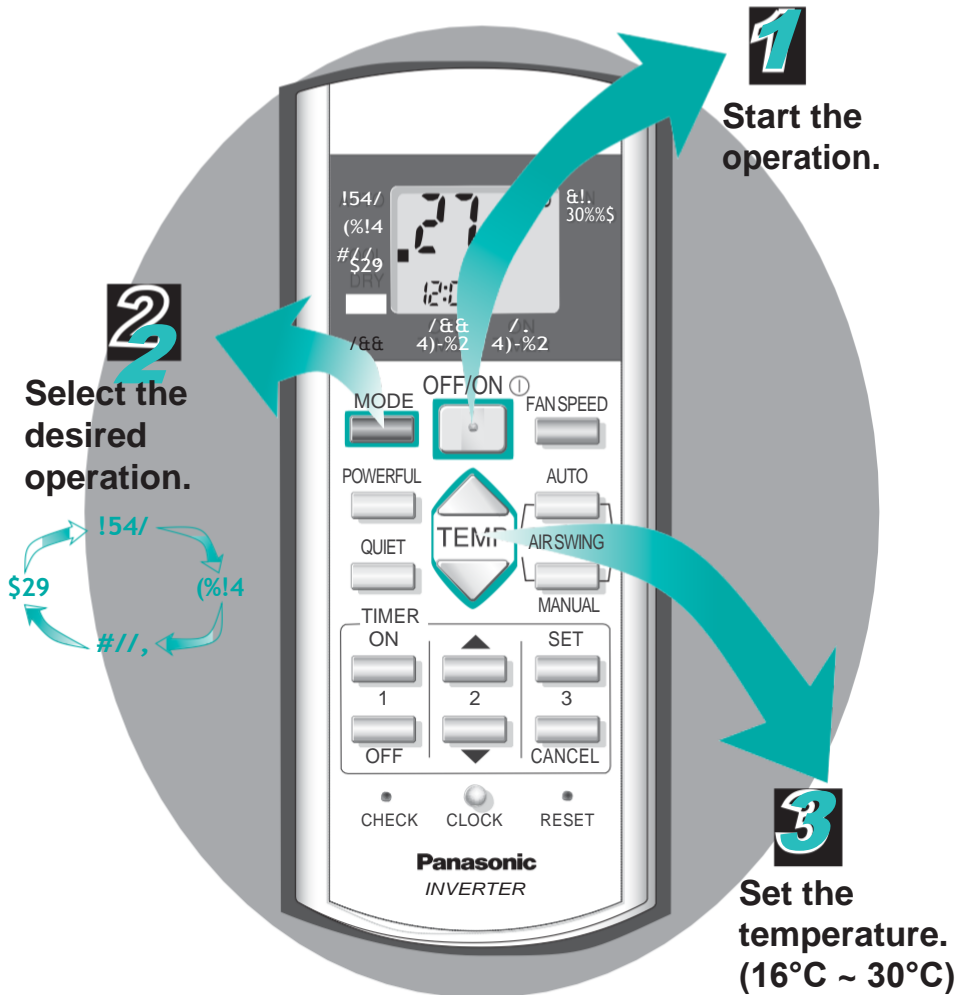



Troubleshooting

- Remote control/display does not work.
- The unit cannot operate.
- Outdoor unit emits water/steam.
- Check whether batteries are correctly inserted or need replacement.
- Check either circuit breaker is tripped or timer is used correctly.
- Ensure "OFF" indicator does not shown on remote control.
- Condensation or evaporation happens at piping surface.

HOW TO OPERATE

Auto, Heat, Cool, Dry



- Powerful and Quiet operations can be activated in all operation modes.
- Press  button again to stop the operation.

Operation Details

AUTO - Automatic Operation

- The unit will automatically select the operation mode according to the setting, outdoor and room temperature. During operation mode selection, power indicator blinks. For every 30 minutes, the operation mode is reselected.

HEAT - Heating Operation

- Enables you to enjoy the warming effect at your preferred setting temperature.
- For cold air prevention, air might not blow out immediately and power indicator blinks when operation starts.
- Also operates in defrost mode (maximum 12 minutes) where by the power indicator blinks. The melted frost is drained at outdoor unit and indoor fan is stopped.

COOL - Cooling Operation

- Enables you to enjoy the cooling effect at your preferred setting temperature.

DRY - Soft Dry Operation

- Enables you to set the desired temperature at low fan speed which provides you with dehumidifying surroundings.

Hints



- To save electricity, close the curtains when using air conditioner to prevent sunlight and heat from coming in.
- Heat is obtain from outdoor air to warm up the room. Use an additional heater when the outdoor ambient temperature is low.

Troubleshooting



- The room has a peculiar odour.
 - This may be a damp smell emitted by the wall, carpet, furniture or clothing in the room.
- Air conditioner does not cool or heat efficiently.
 - Ensure the temperature has been set correctly.
 - Ensure windows and doors have been closed properly.
 - Ensure filters are cleaned or replaced when necessary.
 - Ensure inlet and outlet vents of the units have not been obstructed.

Operation Details

POWERFUL

- To achieve setting temperature quickly.

QUIET

- To provide a quiet environment.

FAN SPEED

- To provide you with various fan speed selections.
- There are 5 levels of fan speed in addition to automatic fan speed.
- Automatic fan speed: The speed of the indoor fan is automatically adjusted according to the operation.

AIR SWING - AUTO

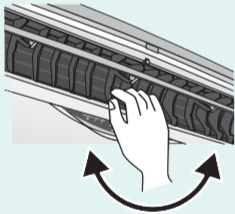
- To ventilate air in the room.
- The vertical airflow direction louver swings up and down automatically.

AIR SWING - MANUAL

- The airflow direction can be adjusted as desired by using remote control.
- Please do not adjust the vertical airflow direction louver by hand.

For DT-series indoor unit only

- Horizontal airflow direction louver could be adjusted manually.



HOW TO OPERATE

Powerful, Quiet, Fan Speed, Air Swing

POWERFUL

Enables powerful operation.

FAN SPEED

Select fan speed.

AUTO AIR SWING

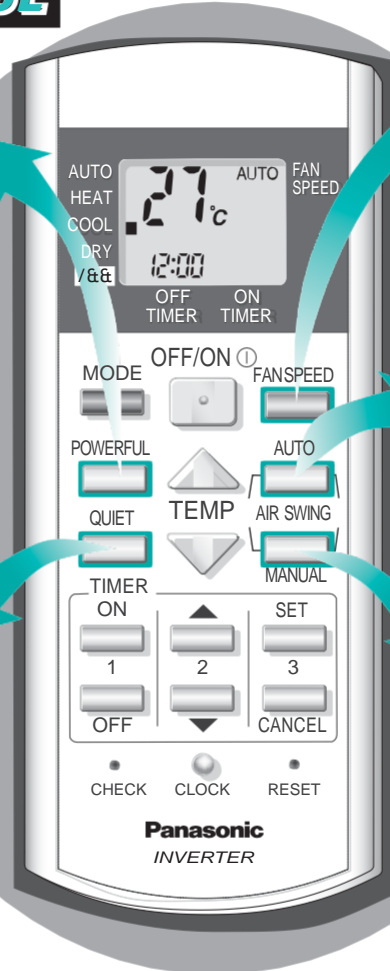
Enables auto air swing.

MANUAL AIR SWING

Adjust the vertical airflow direction louver.

QUIET

Enables quiet operation.



- Air Swing is not applicable for DD-series indoor unit.
- Powerful and Quiet operations could not be activated at the same time.
- Powerful and Quiet operations could be cancelled by pressing the respective button again.



Hints

- If you wish to have the cool air blowing directly on you, set the airflow direction downward but not for an excessive length of time, as it may harm your health.
- Approximately 10% of electricity can be saved if you set the temperature 1°C higher in cooling operation or 2°C lower in heating operation than the desired temperature.



Troubleshooting

- Indoor fan stops occasionally during Automatic Fan Speed setting.
- Indoor fan stops occasionally during heating operation.
- This is an advanced feature that helps to remove smell from the surrounding area during operation.
- To avoid unintended cooling effect.

HOW TO OPERATE

Timer



Select ON or OFF timer.



Set the desired time.

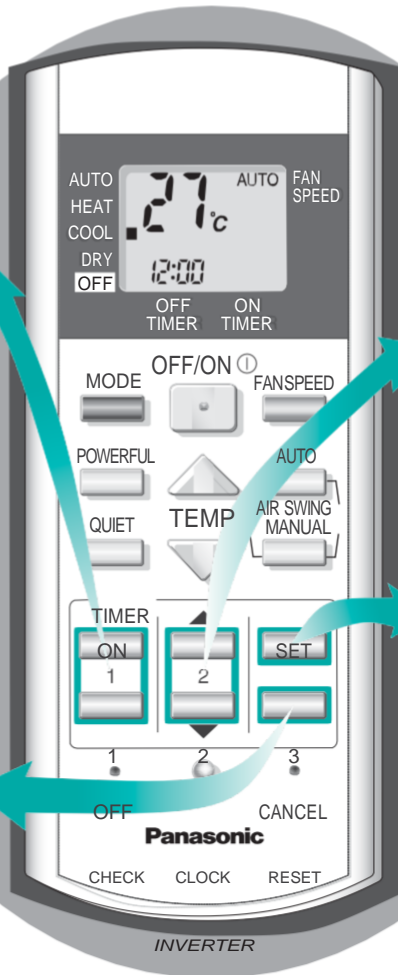


Confirm the setting.

CANCEL

CANCEL

Cancel the selected timer.



Operation Details

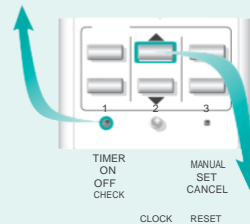
TIMER

- Use the ON timer to turn on the air conditioner at the desired time. This will give you a cooling or warming environment, e.g. when you return from work or wake up.
- When the ON timer is set, operation will start maximum 35 minutes earlier before the actual set time.
- Use the OFF timer to stop the air conditioner operation at the desired time. This can save electricity while you are going out or sleeping.
- The set timer will repeat daily once it is set.
- If there is a power failure, you can press the SET button to restore the previous setting once the power is resumed.
- If the timer is cancelled, you can restore the previous setting by pressing the SET button.

CHECK

- Where there is error, the unit stops its operation and timer indicator blinks.

1. Press for 5 seconds.



2. Browse for respective error code, where "beep" sounds are heard.
3. Turn off the power supply and call authorized distributor.

Note:

Press the "RESET" button to quit checking. Unit might be operated with limited function depending on error found. (Operation starts, 4 "beep" sounds are heard.)

- Ensure the clock on the remote control has been set correctly.
- You could use the ON and OFF timers at the same time.
- To cancel either the ON or OFF timer, press **ON** or **OFF**, then press **CANCEL**.



Hint

- Press CLOCK more than 10 seconds to change the time format from 24 hours to AM/PM format.
- For your convenience, you could set the air conditioner to operate automatically by using both ON and OFF timer.



Troubleshooting

- TIMER indicator always on.
- POWER indicator is blinking 35 minutes before ON timer is activated.
- Timer is activated and the setting will repeat itself daily.
- The unit is determining the operation mode by sensing the room temperature. This happens when it has been set to AUTO operation mode.

Cleaning Instructions

- Do not use benzene, thinner or scouring powder.
- Use soaps or neutral household detergent (pH7) only.
- Do not use water with temperature higher than 40°C.

INDOOR UNIT

- Wipe the unit gently with a soft, dry cloth.

AIR FILTER

- It is recommended to clean the air filters once every 6 weeks.
- Purchase the replacement filter if it is damaged.
Part no.: CWD001088

Preparation for extended Non-operation

- Operate the unit for 2~3 hours using heating operation to dry the internal parts.
- Turn off the power supply.
- Remove the remote control batteries.

Pre-season Inspection

- This inspection is recommended before operating the air conditioner at every season.
- Check if the remote control batteries needed to be replaced.
- Ensure there is no obstruction at all air intake and outlet vents.
- After the start of operation for 15 minutes, it is normal if the temperature differences between air intake and outlet vents at indoor unit is:-

Operation	Temperature
Cooling	≥ 8°C
Heating	≥ 14°C

CARE & CLEANING

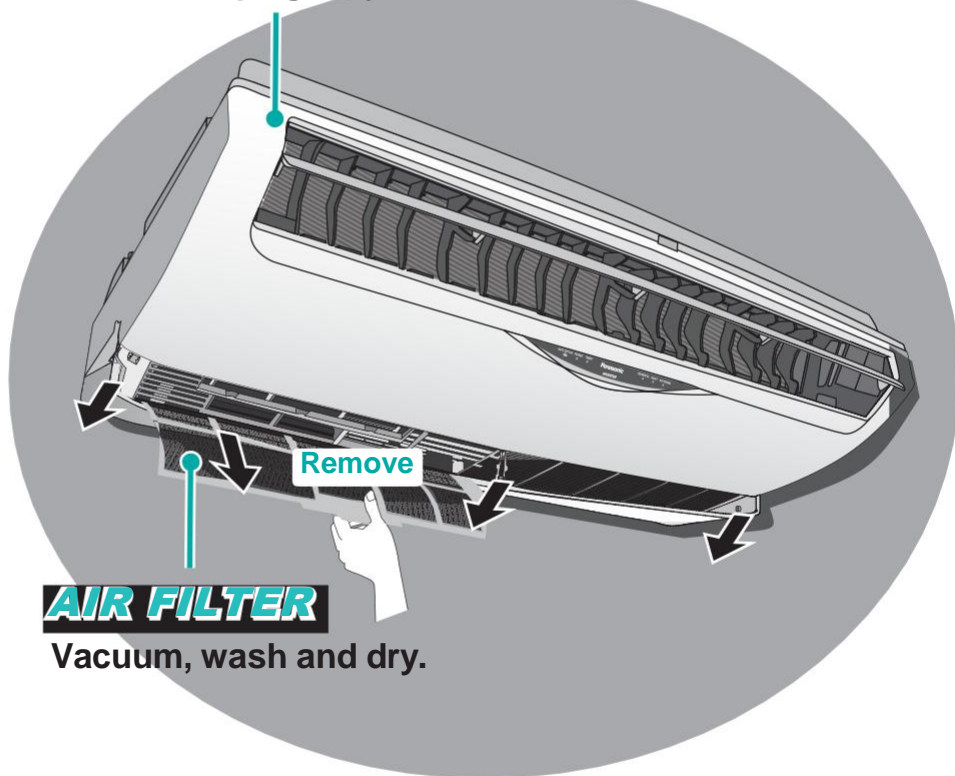


Switch off the power supply before cleaning

DT-series indoor unit

INDOOR UNIT

Wipe gently.



AIR FILTER

Vacuum, wash and dry.

Hints



- Clean the filter regularly as dirty filters will cause unpurified air, low cooling or heating capacity, unpleasant smells and higher energy consumption.
- The unit will become dirty and the performance of the unit will decrease after used for several seasons. Please consult an authorized dealer to perform seasonal inspections in addition to regular cleaning.
- This air conditioner is equipped with a built-in surge protective device. However, in order to further protect your air conditioner from being damaged by abnormally strong lightning activity, you may switch off the power supply.

Non Serviceable Criteria

TURN OFF POWER SUPPLY and CALL Authorized Distributor under the following conditions:

- Abnormal noise during operation
- Water/foreign particles have entered the Remote Control
- Water leak from Indoor unit
- Circuit breaker switches off frequently
- Power cord becomes unnaturally warm
- «TIMER» flashes
- Switches or buttons are not functioning properly

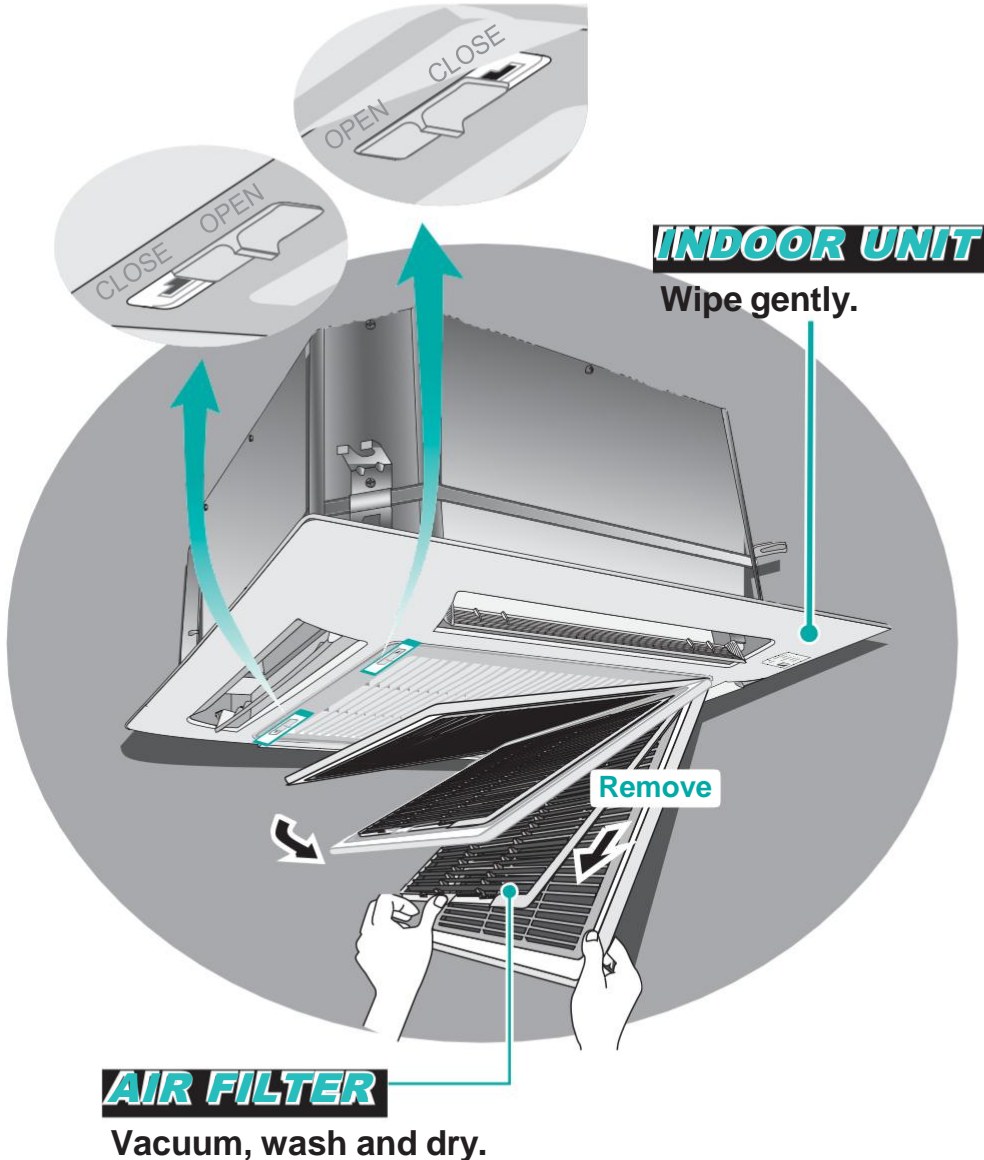


CARE & CLEANING



Switch off the power supply before cleaning

DB-series indoor unit



Cleaning Instructions

INDOOR UNIT

- Wipe the unit gently with a soft, dry cloth.

AIR FILTER

- It is recommended to clean the air filters once every 6 weeks.
- Purchase the replacement filter if it is damaged.
Part no.: CWD001142

Preparation for extended Non-operation

- Operate the unit for 2–3 hours using heating operation to dry the internal parts.
- Turn off the power supply.
- Remove the remote control batteries.

Pre-season Inspection

- This inspection is recommended before operating the air conditioner at every season.
- Check if the remote control batteries needed to be replaced.
- Ensure there is no obstruction at all air intake and outlet vents.
- After the start of operation for 15 minutes, it is normal if the temperature differences between air intake and outlet vents at indoor unit is:-

Operation	Temperature
Cooling	≥ 8°C
Heating	≥ 14°C

Hints



- Clean the filter regularly as dirty filters will cause unpurified air, low cooling or heating capacity, unpleasant smells and higher energy consumption.
- The unit will become dirty and the performance of the unit will decrease after used for several seasons. Please consult an authorized dealer to perform seasonal inspections in addition to regular cleaning.
- This air conditioner is equipped with a built-in surge protective device. However, in order to further protect your air conditioner from being damaged by abnormally strong lightning activity, you may switch off the power supply.

Non Serviceable Criterias



TURN OFF POWER SUPPLY and CALL Authorized Distributor under the following conditions:

- Abnormal noise during operation
- Water/foreign particles have entered the Remote Control
- Water leak from Indoor unit
- Circuit breaker switches off frequently
- Power cord becomes unnaturally warm
- «TIMER» flashes
- Switches or buttons are not functioning properly



"INSTRUCTIONS FOR END-USER" FOR AIR CONDITIONERS:

Your air conditioning product is marked with this symbol. This means that electrical and electronic products should not be mixed with general household waste. European Community countries (*), should have a dedicated collection system for these products. Do not try to dismantle the system yourself as this could have harmful effects on your health and on the environment as a result of incorrect waste handling. The dismantling and disposal of refrigerant, oil and other parts must be done by a qualified installer in accordance with relevant local and national regulations. Air conditioners must be treated at a specialized treatment facility for re-use, recycling and recovery and should not be disposed of in the municipal waste stream. Please contact your installer, dealer or local authority for more information. Penalties may also be applicable for incorrect disposal of waste products, in accordance with national legislation.

***subject to the national law of each member state**

Information on Disposal in other Countries outside the European Union

This symbol is only valid in the European Union. If you wish to discard this product, please contact your installer, dealer or local authority and ask for the correct method of disposal.